

Lock-up Valves YT-400 / YT-405 / YT-430 / YT-435

Design features

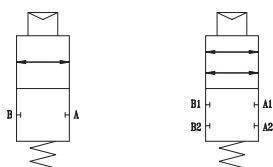
- **Compact size.** No bracket is required.
- **Optimal sensitivity.** Detects small variation of the pressure - below 0.01 MPa.
- **Differential Pressure .** Differential Pressure of more than 1 bar is required when setting.



YT-400S YT-405D YT-430S YT-435D



Symbol



Single Acting Type Double Acting Type

Item Type		YT-400	YT-405	YT-430	YT-435
Signal Pressure		0.14 to 0.7 MPa (1.4 to 7 bar)			
Max. Supply Pressure		Max. 1 MPa (10 bar)			
Lock-Up Pressure		Max. 0.7 MPa (7 bar)			
Differential Pressure		Below 0.01 MPa (0.1 bar)			
Operating Temp.		-20 to 70 °C (-4 to 158 °F) (Standard type)			
Flow Capacity (Cv)		0.9		1.8	
Air Connection		PT (NPT) 1/4	NPT 1/4	NPT 3/8	
Signal Connection		PT (NPT) 1/4	NPT 1/4	NPT 1/4	
Material		Aluminium Diecasting	Stainless Steel 316	Aluminium Diecasting	Stainless Steel 316
Weight	Single	0.45 kg (1.0 lb)	1.3 kg (2.2 lb)	1.3 kg (2.2 lb)	3.3 kg (7.3 lb)
	Double	0.7 kg (1.5 lb)	1.5 kg (3.3 lb)	2.3 kg (5.1 lb)	5.8 kg (12.8 lb)

Product Code

YT-400 - S - P - 1

Model

YT-400 = Aluminum 1/4"
 YT-405 = Stainless Steel 1/4"
 YT-430 = Aluminum 3/8"
 YT-435 = Stainless Steel 3/8"

Acting Type

S = Single
 D = Double

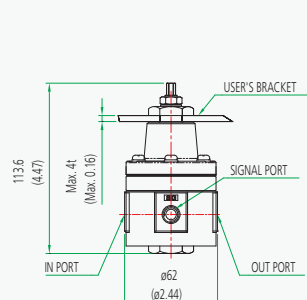
Connection Type (YT-405/430/435 are only available in NPT connection)

P = PT
 N = NPT

Operating Temp.

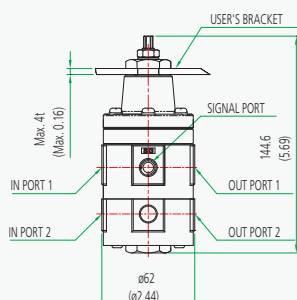
1 = -20 to 70 °C
 2 = -20 to 120 °C
 3 = -40 to 70 °C

Dimensions: mm (Inches ")



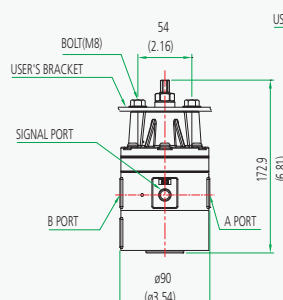
YT-400S, YT-405S (Single Acting)

YT-400S/405S



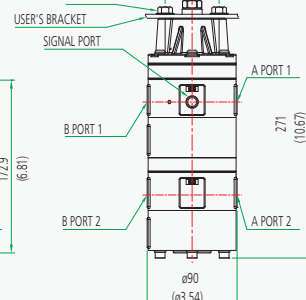
YT-400D, YT-405D (Double Acting)

YT-400D/405D



YT-430S, YT-435S (Single Acting)

YT-430S/435S



YT-430D, YT-435D (Double Acting)

YT-430D/435D